

1 2 3 4 5 6

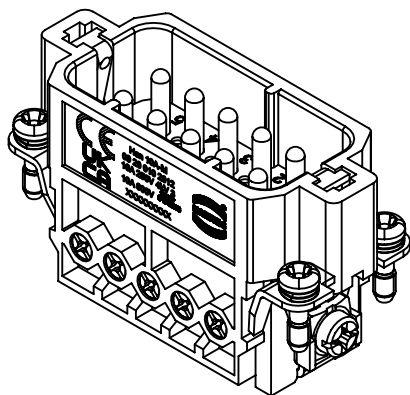
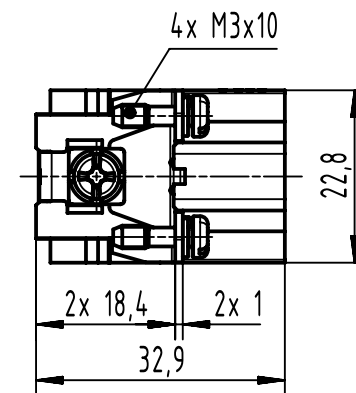
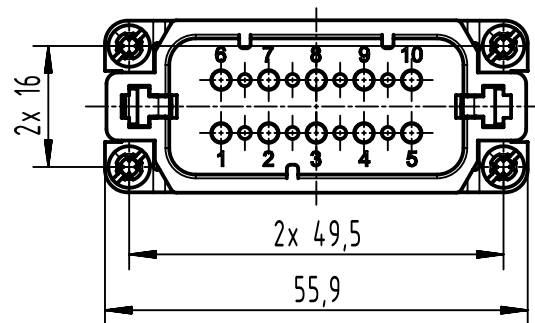
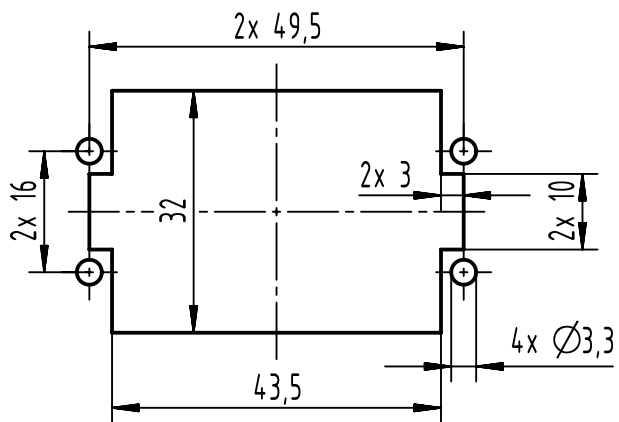
A



B

C

D

panel cut out



	All rights reserved Department EL PD	Created by BALSAN		Inspected by 402602		Standardisation		Date 2022-12-05		State Final Release	
		Title Han 10A-M-s						Doc-Key / ECM-Nr. 100087389/UGD/005/F 500000231823		Rev. F	
HARTING D-32339 Espelkamp		Type TB		Number 09 20 010 2612							
 All Dimensions in mm Original Size DIN A4		Scale 1:1		Free size tol.				Ref. Sub.			